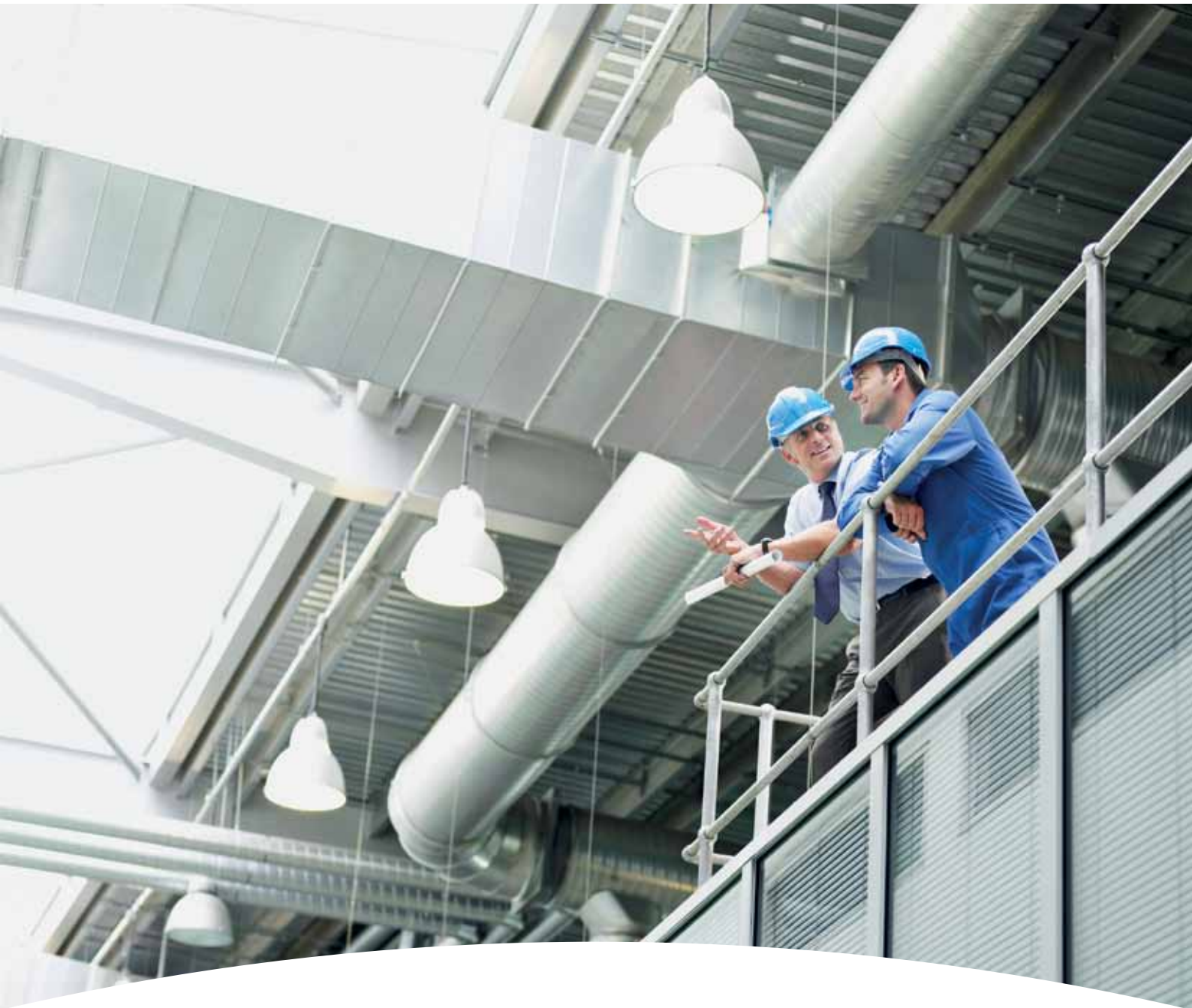


ESSER

by Honeywell



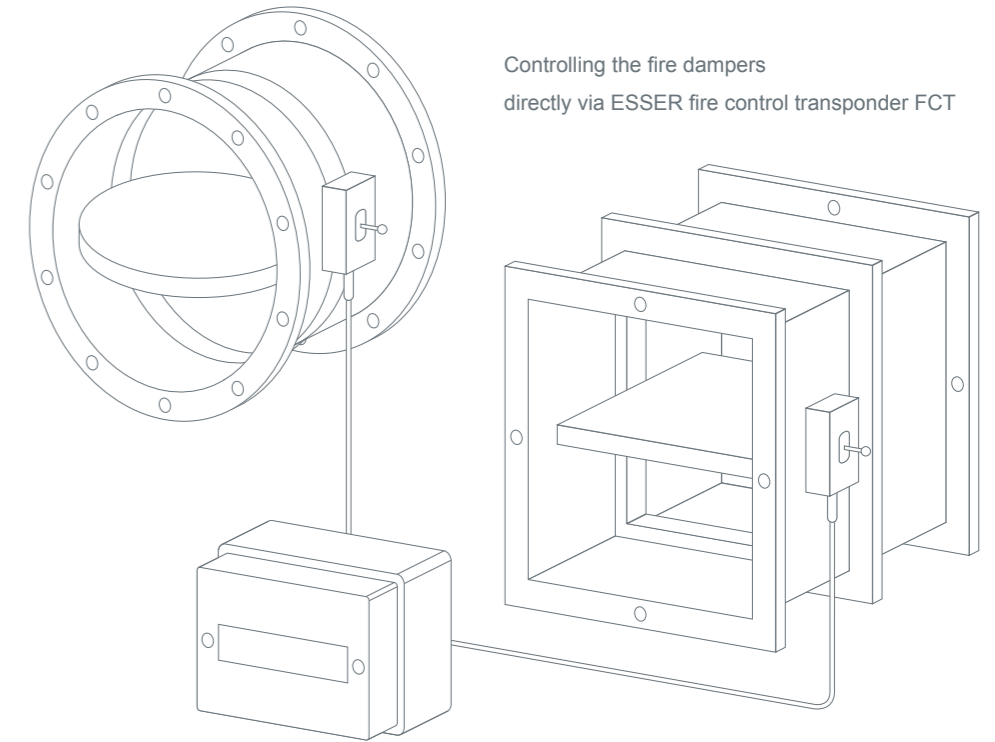
The innovative solution for fire alarm and
smoke protection in a single system

Integrated Fire Damper Control



"One system,
that is convincing."

Jan Petrow, Planner



Controlling the fire dampers
directly via ESSER fire control transponder FCT

Revolutionary ways for targeted smoke protection

Fire safety and smoke protection systems are indispensable in an emergency since they have two functions that save lives: They prevent the smoke and fire from spreading to other parts of the building. Secondly, they extract the smoke out of rooms that are affected by the fire. This is the only manner in which escape and rescue routes remain accessible.

The systems comprise fire dampers, smoke dampers, smoke extraction systems and pressure ventilation systems to a large extent, and they need to be closed, opened or switched on when a fire is detected.

The innovative solution from ESSER by Honeywell

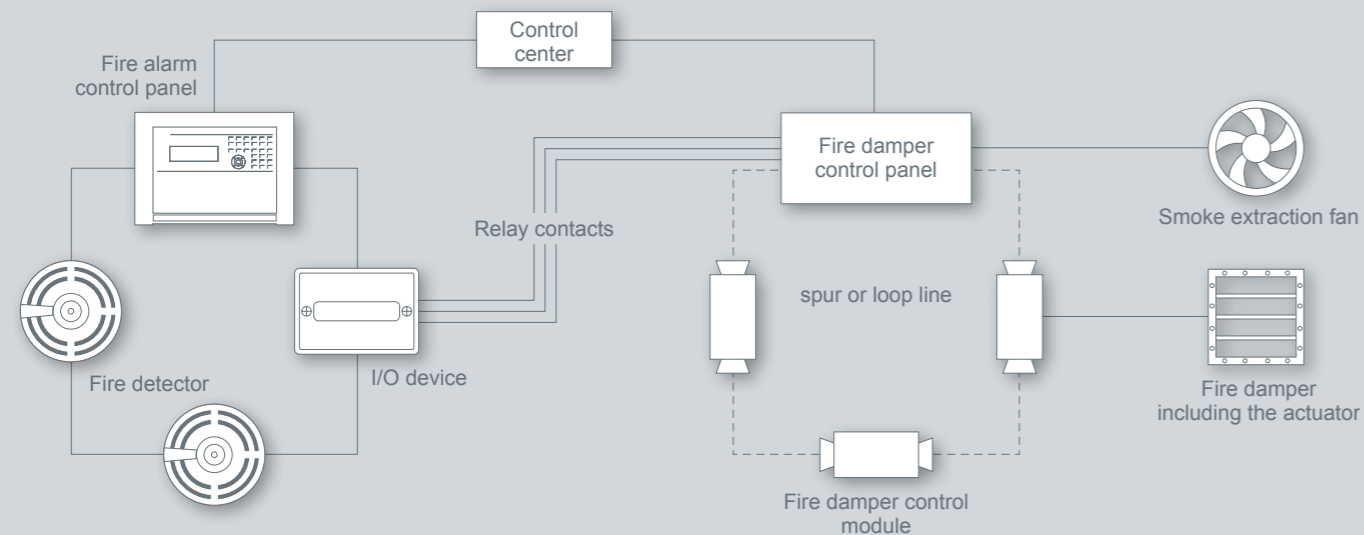
We are the first company to integrate the control of smoke protection components in our proven fire alarm system and now offer a combined system. This enables the costs and efforts to be reduced for planners, installers, operators and investors.

Enhance fire safety and cut costs – we make it possible

1

Conventional Block Diagram

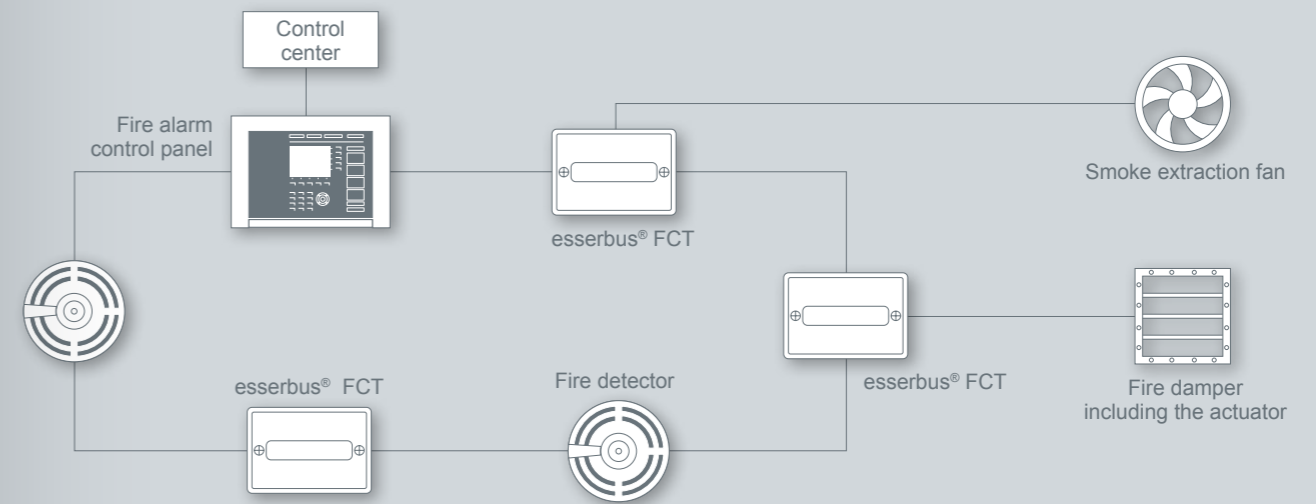
Two separate systems, expensive and cumbersome interfaces with input and output modules



2

ESSER Block Diagram

Only one control system, and expensive and cumbersome interfaces are omitted



1 So far, two separate systems for fire detection and smoke control

Traditionally, the functions of fire detection and smoke control have been implemented with the help of two separate systems. Separate control panels, modules and cabling in the building are necessary for this purpose.

The communication between these two systems takes place in a cumbersome manner via relay contacts from the fire alarm system to the fire control system.

Conventionally, smoke control components are primarily controlled using spur lines, as a result of which there is a high risk of failure in case of any interruption or short-circuit.

2 ESSER fire alarm systems for direct monitoring and control of fire dampers and smoke dampers

ESSER now offers you the option of controlling and monitoring fire dampers and smoke dampers directly and specifically by the esserbus® Fire Control Transponder FCT via the esserbus® loop line. Additionally, you can use other components on the esserbus® to control and monitor smoke extraction fans as well as shut down operational ventilation systems.

As a result, you can achieve savings of up to 40% of the costs compared to conventionally separate systems.

The esserbus® loop line technology provides the maximum level of operational safety in the process.

Only one system needs to be designed, installed, programmed and maintained.

The benefits of a fire alarm system with integrated fire safety control do not only cover savings in components, but also in respect to planning, installation and commissioning as well as in regard to maintenance and service. Time-consuming planning is a thing of the past. Since only one control panel needs to be installed and programmed; this greatly reduces the cost and effort of maintenance due to the omission of an entire system.

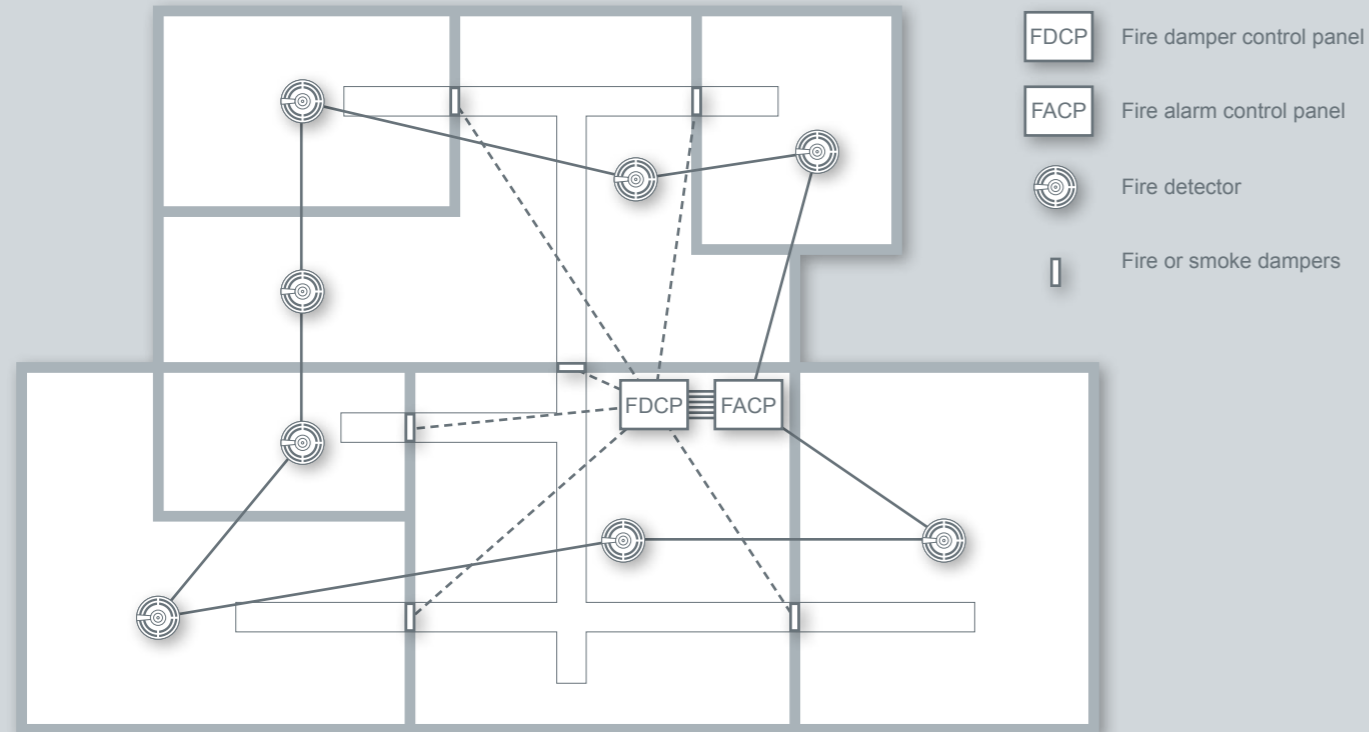
Moreover, acceptance tests by the public authorities for the external fire damper control panel are obsolete.



Savings by Reduction

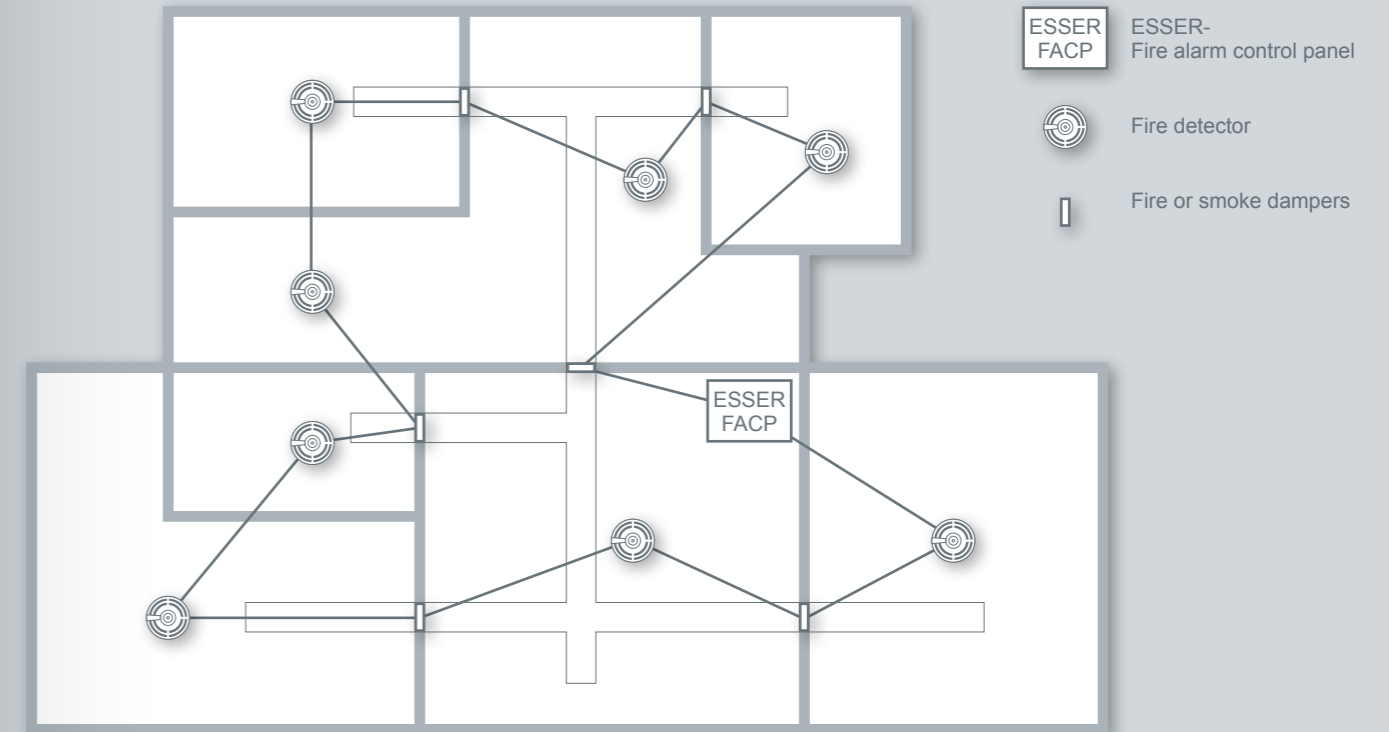
Conventional cabling

Separate loops for fire alarm and fire damper control modules



ESSER cabling

One loop for all components



Less cable – lower costs

Our solution offers a savings potential of up to 20 % in terms of cabling and the cable trays in the building, since spur lines to the dampers are not necessary as before, and separate lines are not required for fire alarm and fire damper control modules.

There is only one loop for all components that can be planned and routed efficiently

Many of our customers have already made use of this benefit and decided in

favor of an integrated smoke control system from ESSER. Among several other projects, our system has already asserted itself in the hotel, office and shopping complex Zorlu Center in Istanbul (Turkey), at the Kiev-Boryspil airport (Ukraine), in the Olympic Park of the Winter Games 2014 in Sochi (Russia) and in the Erste Campus office complex (Austria).

Reducing the fire load

Another benefit of cutting down on the cable quantity is the reduction in the fire load of the building.

All Benefits at a Glance

- + Merely one system
- + Absence of relay modules and cumbersome contact wiring
- + Flexible assignment of fire dampers and smoke dampers
- + Reduction in cable quantity and fire load
- + Saving in costs and space since cable routes are omitted
- + Less planning effort
- + Reduced programming costs
- + Low-cost maintenance
- + Internationally proven and certified technology



Perfect Adaptation: Technology for all concerns

The esserbus® FCT in detail

The esserbus® Fire Control Transponder FCT is available in different models for one or two fire dampers or smoke dampers. Each damper can be addressed separately and thus, can be controlled independently. The position of each damper is monitored with the help of feedback inputs and the states are reported to the ESSER control panel and, if needed, to our risk management systems WINMAGplus and FlexES Guard or to a building control center.

Simple connection using a plug

Apart from variants with screw-type terminals, the esserbus® FCT is also available in designs with a plug for the most prevalent damper actuators.

Multiple redundancy to enhance the reliability

As a result of connection via the loop, the transponders continue to work without limitations even in case of short-circuit or wire break.

Over and above this, the complete CPU including all interfaces can be designed with redundant configuration in the latest fire alarm control panels of the FlexES Control panel.

Be it small or large – flexible in use

With different expansion phases of the control panel, up to 18 loops with 127 components (transponders, detectors, manual call points and much more) can be connected to and operated from one ESSER fire alarm control panel. For larger systems, the individual ESSER control panels can be interlinked with one another into a network.

Comprehensively expandable as desired

Extensions and modifications can be made quickly at any time (e.g. during the construction phase) by simple and flexible integration of other components to the esserbus®.

Functionality and Visualization of highest quality

Easy and efficient programming

Diverse combinations and models for optimal control of the smoke protection components can be programmed efficiently by ESSER partners with the help of the comfortable and comprehensive programming and service software tools 8000. Specialized and specific requirements can be handled with the help of flexible logic programming.

Display information in a clear and well laid-out manner

Status and incorrect positions of specific dampers are indicated in the display unit at the ESSER fire alarm control panel and the location can be identified unambiguously with the help of legends that have been programmed in advance. Beyond that, with the risk management system WINMAGplus and FlexES Guard, ESSER offers the option to display all dampers in a graphical user interface. Here the transponders can be placed in building plans in order to ensure quick and easy identification of a faulty damper, for example.

One centralized control center for all subsystems

Moreover, an open system architecture facilitates the integration of other systems (e.g. via the OPC interface). This enables visualization and control of the entire building control system. You can also have access to all functions at any time from a distant location via remote access.





ESSER facilitates the complete package

✔ Protecting your investment

ESSER places great importance on downward compatibility of new products so that availability of extensions or replacement parts can be ensured.

✔ Benefits for the end customer

Our products, services and sales strategies are aligned to meet the needs of system operators.

✔ Best Quality and Compliance to Standards

With one product from ESSER by Honeywell, you decide to opt for quality. We carry out stringent quality controls and have our products tested and certified by independent and Government-accredited institutions.

✔ Comprehensive project expertise

For more than four decades now, ESSER has been able to gain valuable experience by implementing a large number of projects while facing the most diverse challenges. In this manner, flexible and project-specific solutions of the highest quality can be offered.

✔ Innovation based on customer feedback

Each of our advanced and novel developments has been the outcome of feedback from our customers and, as a result, are oriented toward customer benefits.

✔ Think global – act local

We consider this proven maxim to be more than just a slogan. As part of the Honeywell International Inc. enterprise with about 122,000 employees worldwide, ESSER combines a global perspective with local cooperation. As a result, ESSER has the project execution experience of an international enterprise with the benefits of a partner having local contacts. Thus, ESSER is in a position to respond particularly well to the needs of its customers.

"The best way to be prepared for an emergency."

Alexander Nowak, Installer



Honeywell Life Safety Austria GmbH

Lemböckgasse 49

1230 Vienna, Austria

Phone: +43 1 600 60 30

Fax: +43 1 600 60 30-900

Internet: www.hls-austria.com

E-mail: hls-austria@honeywell.com

Part No. D800019.AT.G0

June 2013

Technical changes reserved

© 2013 Honeywell International Inc.

ESSER
by Honeywell